

UPHOLSTERED BOOTHS



UPHOLSTERED BOOTH SPECIFICATIONS

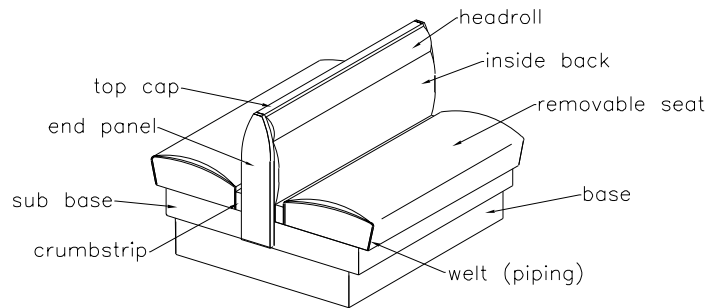
UPHOLSTERED BOOTH SPECIFICATIONS

When it comes to upholstered booths, the options are limitless. Berco offers every imaginable upholstery option, and if you don't see what you are looking for in our standard collection, chances are our Customer Service team can find a solution to meet your specific needs.

Standard booths can be made to special sizes, angles, trim, cutouts, seats, special sewing, etc. We welcome all special requests. All circles and wall benches are standard with unfinished outside backs. Please specify if you would like a finished outside back. When circles, wall benches, curvettes or any specials are ordered, please send along a Plan with dimensions written in. Berco can also help you design to your specifications. Our Customer Service staff will assist you in meeting your customer's specific needs.

Booth Components

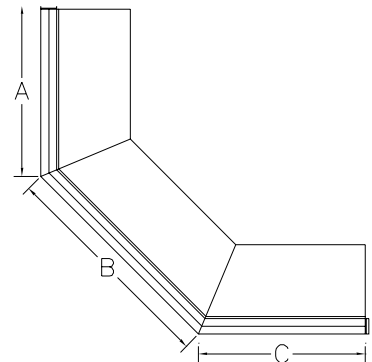
Booth Components



Pricing For Wall Benches

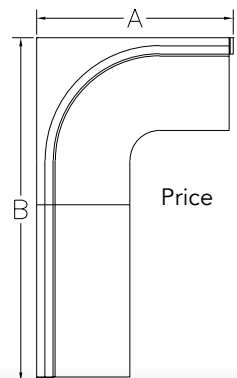
Angled Wall Bench

Total feet of sides A, B and C multiplied by the per foot price. PLUS 2 angled mitered corners equals total price. Price of finished outside backs (where required) must be added.



Corner Wall Bench

Total feet of sides A and B multiplied by the per foot price. PLUS 1 corner equals total price. of finished outside backs (where required) must be added.

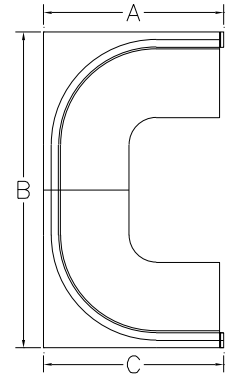


UPHOLSTERED BOOTH SPECIFICATIONS

Pricing For Circle Booths

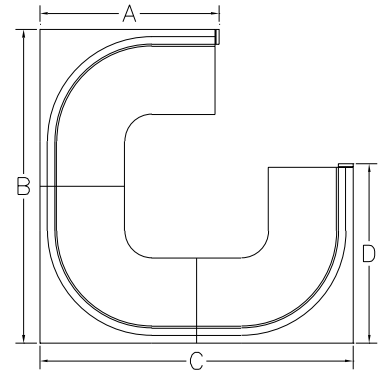
½ Circle Booth

Total feet of sides A, B and C multiplied by the per foot price. PLUS 2 corners equals total price. Price of finished outside backs (where required) must be added.



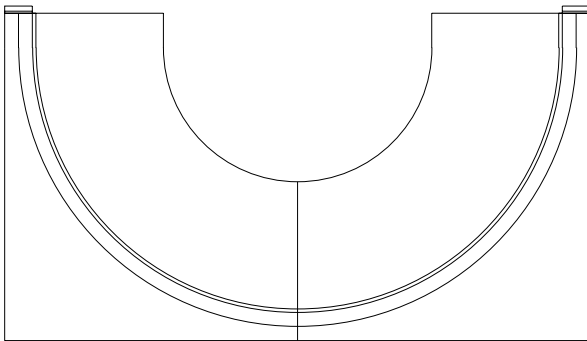
¾ Circle Booth

Total feet of sides A, B, C and D multiplied by the per foot price. PLUS 3 corners equals total price. Price of finished outside backs (where required) must be added.

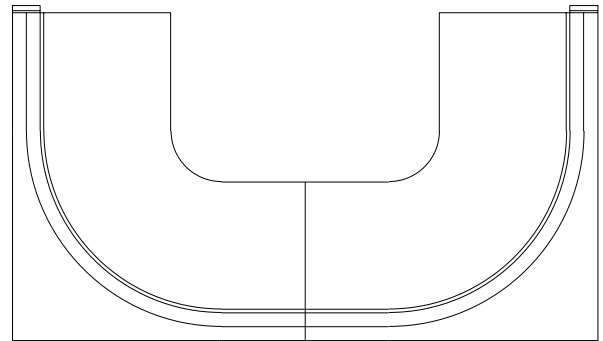


Radius Options

A Radius



B Radius



Seating Capacity

Each booth/wall bench can seat the following:

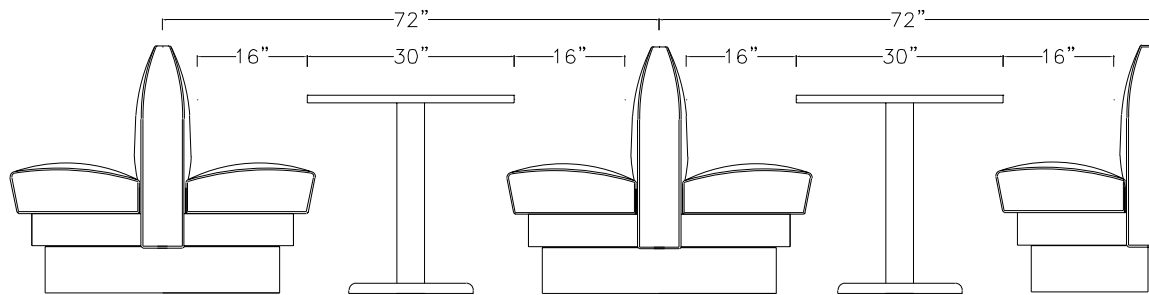
- 30" Long – 1 person
- 48" Long – 2 people
- 60" Long – 2-3 people
- 72" Long – 3-4 people

UPHOLSTERED BOOTH SPECIFICATIONS

Typical Booth Arrangement

Our booths are designed to accommodate any size and configuration you desire. As a guide for arrangement, you can reference the following drawings which allow for a 30" wide table. The style of the booth and inside back style can affect the dimension from the table top to the inside back. Use dimensions for reference only.

UPHOLSTERED BOOTHS



Upholstery Choices

Booth pricing includes Berco standard as well as graded-in upholstery. Standard upholstery colors are shown on following pages. For all other upholstery options, Customer Service will be happy to provide a custom quote.

Vinyl & Fabric Options

Berco can supply almost any vinyl or fabric on the market. Please consult your Customer Service Representative for a custom quote. Vinyl specifications and samples can be found at www.spradlingvinyl.com. Fabric specifications and samples can be found at www.mayerfabrics.com. See Finish Specifications section for more details.

UPHOLSTERED BOOTH SPECIFICATIONS

Customer Own Material (C.O.M.)

1. All orders using COM, prior to order, must submit upholstery details such as pattern, repeat and if it is a Railroaded pattern to customer service to determine yardage needed.
2. Standard booth pricing includes C.O.M.
3. Material that is directional or striped, must specify the details concerning how it is to be applied.
4. If material is or can be reversible, be certain to mark the proper side.
5. Supply your shipper of the C.O.M. with the following information to be attached to the outside of the package containing your C.O.M.:

Berco Furniture Solutions – Shipping & Receiving

3700 Cleon Street

St. Louis, MO 63118

Clearly mark with Purchase Order number and job name.

Upholstery Cleaning and Maintenance

General Care and Cleaning Guide:

Step 1: For light soiling, a solution of 10% household liquid dishsoap in warm water, applied with a soft damp cloth. Rinse with clean water and dry.

Step 2: For heavy soiling, dampen a soft white cloth with a one to one (1:1) solution of Fantastik® and water or Formula 409® and water. Rub gently and rinse with a water dampened cloth.

Step 3: For more difficult stains, dampen a soft white cloth with a solution of household bleach (10% bleach / 90% water). Rub gently and rinse with a water dampened cloth to remove bleach concentration. Do not use with alcohol based cleaning agents!



Key Features:

- * Fully upholstered booth
- * Removable, high density foam padded, sinuous spring seat
- * Foam padded inside back
- * Black vinyl enclosed base
- * Custom heights and lengths available
- * 12 year warranty

Inside Back Upgrades:

- VC - Vertical Channel
- HC - Horizontal Channel
- DT - Diamond Tuft - **ADD 20%**
- BT - Biscuit Tuft - **ADD 20%**
- HR - Headroll

36" HIGH	DEUCE SINGLE		DEUCE DOUBLE		SINGLE		DOUBLE		WALL BENCH		CORNER	
MODEL NUMBER	CALI-3630-SGL		CALI-3630-DBL		CALI-3648SGL		CALI-3648DBL		CALI-36-WB		CALI-36-CORNER	
DIMENSIONS	Height		36"		36"		36"		36"		36"	
	Length		30"		48"		48"		Per Lineal Ft.		N/A	
	Depth		24"		47.25"		24"		47.25"		24"	
	Seat Height		19"		19"		19"		19"		19"	
	Seat Depth		18.25"		18.25"		18.25"		18.25"		18.25"	
OUTSIDE BACK	Finished		N/A		Finished		N/A		Unfinished		Unfinished	
INSIDE BACK	Smooth	Upgrade	Smooth	Upgrade	Smooth	Upgrade	Smooth	Upgrade	Smooth	Upgrade	Smooth	Upgrade
Standard/C.O.M.	\$1,620	\$1,845	\$2,487	\$2,951	\$1,942	\$2,249	\$2,936	\$3,557	\$512	\$606	\$883	\$914
GRADE 1	\$1,782	\$2,030	\$2,736	\$3,246	\$2,136	\$2,474	\$3,230	\$3,913	\$563	\$667	\$971	\$1,006
GRADE 2	\$1,944	\$2,215	\$2,984	\$3,541	\$2,330	\$2,699	\$3,524	\$4,269	\$614	\$727	\$1,059	\$1,097
GRADE 3	\$2,106	\$2,399	\$3,233	\$3,836	\$2,524	\$2,923	\$3,817	\$4,624	\$666	\$788	\$1,148	\$1,189
GRADE 4	\$2,349	\$2,676	\$3,606	\$4,279	\$2,815	\$3,261	\$4,258	\$5,158	\$742	\$879	\$1,280	\$1,326
GRADE 5	\$2,511	\$2,860	\$3,855	\$4,574	\$3,009	\$3,486	\$4,551	\$5,514	\$794	\$939	\$1,368	\$1,417
OPTIONS	Length		31" - 47" - +15%		31" - 47" - +15%		49" - 60" +25%		49" - 60" +25%		Use Per Foot For Over 60"	
	Yardage required for COM solid or non-matching upholstery.		4 yds		6 yds		5.5 yds		7 yds		2 yds per ft FOSB 1 yd per ft UFOSB	



Key Features:

- * Fully upholstered booth
- * Removable, high density foam padded, sinuous spring seat
- * Foam padded inside back
- * Black vinyl enclosed base
- * Custom heights and lengths available
- * 12 year warranty

Inside Back Upgrades:

- VC - Vertical Channel
- HC - Horizontal Channel
- DT - Diamond Tuft - **ADD 20%**
- BT - Biscuit Tuft - **ADD 20%**
- HR - Headroll

42" HIGH	DEUCE SINGLE		DEUCE DOUBLE		SINGLE		DOUBLE		WALL BENCH		CORNER	
MODEL NUMBER	CALI-4230-SGL		CALI-4230-DBL		CALI-4248SGL		CALI-4248DBL		CALI-42-WB		CALI-42-CORNER	
DIMENSIONS	Height		42"		42"		42"		42"		42"	
	Length		30"		30"		48"		48"		Per Lineal Ft.	
	Depth		24"		47.25"		24"		47.25"		24"	
	Seat Height		19"		19"		19"		19"		19"	
	Seat Depth		18.25"		18.25"		18.25"		18.25"		18.25"	
OUTSIDE BACK	Finished		N/A		Finished		N/A		Unfinished		Unfinished	
INSIDE BACK	Smooth	Upgrade	Smooth	Upgrade	Smooth	Upgrade	Smooth	Upgrade	Smooth	Upgrade	Smooth	Upgrade
Standard/C.O.M.	\$1,714	\$2,061	\$2,600	\$3,095	\$2,061	\$2,380	\$3,093	\$3,752	\$543	\$637	\$979	\$1,016
GRADE 1	\$1,885	\$2,267	\$2,860	\$3,405	\$2,267	\$2,619	\$3,402	\$4,127	\$598	\$701	\$1,077	\$1,117
GRADE 2	\$2,057	\$2,473	\$3,120	\$3,714	\$2,473	\$2,857	\$3,712	\$4,502	\$652	\$765	\$1,175	\$1,219
GRADE 3	\$2,228	\$2,679	\$3,380	\$4,024	\$2,679	\$3,095	\$4,021	\$4,877	\$706	\$829	\$1,273	\$1,321
GRADE 4	\$2,485	\$2,988	\$3,770	\$4,488	\$2,988	\$3,452	\$4,485	\$5,440	\$788	\$924	\$1,420	\$1,473
GRADE 5	\$2,656	\$3,194	\$4,030	\$4,798	\$3,194	\$3,690	\$4,794	\$5,815	\$842	\$988	\$1,518	\$1,574
OPTIONS	Length		31" - 47" - +15%		31" - 47" - +15%		49" - 60" +25%		49" - 60" +25%		Use Per Foot For Over 60"	
	Yardage required for COM solid or non-matching upholstery.		5 yds		7 yds		6.5 yds		8 yds		2.5 yds per ft FOSB 1.5 yd per ft UFOSB	



Key Features:

- * Fully upholstered booth
- * Removable, high density foam padded, sinuous spring seat
- * Foam padded inside back
- * Black vinyl enclosed base
- * Custom heights and lengths available
- * 12 year warranty

Inside Back Upgrades:

- VC - Vertical Channel
- HC - Horizontal Channel
- DT - Diamond Tuft - **ADD 20%**
- BT - Biscuit Tuft - **ADD 20%**
- HR - Headroll

48" HIGH	DEUCE SINGLE		DEUCE DOUBLE		SINGLE		DOUBLE		WALL BENCH		CORNER	
MODEL NUMBER	CALI-4830-SGL		CALI-4830-DBL		CALI-4848SGL		CALI-4848DBL		CALI-48-WB		CALI-48-CORNER	
DIMENSIONS	Height		48"		48"		48"		48"		48"	
	Length		30"		30"		48"		48"		Per Lineal Ft.	
	Depth		24"		47.25"		24"		47.25"		24"	
	Seat Height		19"		19"		19"		19"		19"	
	Seat Depth		18.25"		18.25"		18.25"		18.25"		18.25"	
OUTSIDE BACK	Finished		N/A		Finished		N/A		Unfinished		Unfinished	
INSIDE BACK	Smooth	Upgrade	Smooth	Upgrade	Smooth	Upgrade	Smooth	Upgrade	Smooth	Upgrade	Smooth	Upgrade
Standard/C.O.M.	\$1,808	\$2,034	\$2,788	\$3,233	\$2,186	\$2,506	\$3,250	\$3,940	\$575	\$669	\$1,124	\$1,168
GRADE 1	\$1,989	\$2,237	\$3,067	\$3,557	\$2,405	\$2,756	\$3,575	\$4,334	\$632	\$736	\$1,237	\$1,285
GRADE 2	\$2,169	\$2,440	\$3,346	\$3,880	\$2,623	\$3,007	\$3,900	\$4,728	\$690	\$803	\$1,349	\$1,401
GRADE 3	\$2,350	\$2,644	\$3,624	\$4,203	\$2,842	\$3,258	\$4,225	\$5,122	\$747	\$869	\$1,461	\$1,518
GRADE 4	\$2,621	\$2,949	\$4,043	\$4,688	\$3,170	\$3,634	\$4,712	\$5,712	\$833	\$970	\$1,630	\$1,693
GRADE 5	\$2,802	\$3,152	\$4,321	\$5,011	\$3,388	\$3,884	\$5,037	\$6,106	\$891	\$1,037	\$1,743	\$1,810
OPTIONS	Length		31" - 47" - +15%		31" - 47" - +15%		49" - 60" +25%		49" - 60" +25%		Use Per Foot For Over 60"	
	Yardage required for COM solid or non-matching upholstery.		5.5 yds		7.5 yds		7 yds		8.5 yds		3 yds per ft FOSB 2 yd per ft UFOSB	

BOOTH OPTIONS

		OPTIONS														
		Crumbstrip			Top Cap			Outside Back				Base				
Length		Upholstered	Laminated	Wood Veneer	Laminated	Oak	Maple	Laminated	Upholstered	Oak Veneer	Maple Veneer	Black Laminate	Black ABS	Oak Veneer	Maple Veneer	Pedestal
		Add	Add	Add	Add	Add	Add	Add	Add	Add	Add	Add	Add	Add	Add	Add
Single	Up To 30"	\$57	\$46	\$54	\$42	\$27	\$38	\$215	Incl.	\$203	\$222	\$80	\$73	\$107	\$157	\$115
	31" - 44"	\$69	\$57	\$65	\$57	\$34	\$50	\$310	Incl.	\$291	\$322	\$107	\$96	\$138	\$195	\$115
	45" - 48"	\$73	\$61	\$69	\$61	\$38	\$54	\$337	Incl.	\$314	\$353	\$111	\$100	\$146	\$203	\$153
	49" - 72"	\$88	\$77	\$84	\$84	\$46	\$69	\$460	Incl.	\$429	\$479	\$146	\$130	\$188	\$253	\$195
Double	Up To 30"	\$115	\$92	\$107	\$42	\$27	\$38	N/A	N/A	N/A	N/A	\$134	\$100	\$153	\$245	\$215
	31" - 44"	\$138	\$115	\$130	\$57	\$34	\$50	N/A	N/A	N/A	N/A	\$161	\$123	\$184	\$280	\$216
	45" - 48"	\$146	\$123	\$138	\$61	\$38	\$54	N/A	N/A	N/A	N/A	\$172	\$130	\$192	\$291	\$215
	49" - 72"	\$176	\$153	\$169	\$84	\$46	\$69	N/A	N/A	N/A	N/A	\$207	\$157	\$234	\$337	\$257
Wall Bench	Per Foot	\$27	\$23	\$27	\$19	\$11	\$15	\$92	\$59	\$84	\$96	\$31	\$27	\$38	\$54	\$42
Circle	Per Foot	\$38	\$31	\$34	\$23	\$15	\$19	\$100	\$70	\$96	\$107	\$38	\$34	\$54	\$69	\$61

BOOTH OPTIONS

		OPTIONS																	
		36" High End Panels						42" High End Panels						48" High End Panels					
	Length	Laminated (1 End)	Laminated (2 Ends)	Oak (1 End)	Oak (2 Ends)	Maple (1 End)	Maple (2 Ends)	Laminated (1 End)	Laminated (2 Ends)	Oak (1 End)	Oak (2 Ends)	Maple (1 End)	Maple (2 Ends)	Laminated (1 End)	Laminated (2 Ends)	Oak (1 End)	Oak (2 Ends)	Maple (1 End)	Maple (2 Ends)
		Add	Add	Add	Add	Add	Add	Add	Add	Add	Add	Add	Add	Add	Add	Add	Add	Add	Add
Single	Up To 30"	\$77	\$149	\$45	\$92	\$73	\$142	\$80	\$161	\$56	\$111	\$84	\$169	\$84	\$169	\$63	\$126	\$98	\$195
	31" - 44"	\$77	\$149	\$45	\$92	\$73	\$142	\$80	\$161	\$56	\$111	\$84	\$169	\$84	\$169	\$63	\$126	\$98	\$195
	45" - 48"	\$77	\$149	\$45	\$92	\$73	\$142	\$80	\$161	\$56	\$111	\$84	\$169	\$84	\$169	\$63	\$126	\$98	\$195
	49" - 72"	\$77	\$149	\$45	\$92	\$73	\$142	\$80	\$161	\$56	\$111	\$84	\$169	\$84	\$169	\$63	\$126	\$98	\$195
Double	Up To 30"	\$91	\$176	\$59	###	\$91	\$180	\$98	\$192	\$73	\$142	\$104	\$207	###	\$207	\$84	\$165	\$118	\$234
	31" - 44"	\$91	\$176	\$59	###	\$91	\$180	\$98	\$192	\$73	\$142	\$104	\$207	###	\$207	\$84	\$165	\$118	\$234
	45" - 48"	\$91	\$176	\$59	###	\$91	\$180	\$98	\$192	\$73	\$142	\$104	\$207	###	\$207	\$84	\$165	\$118	\$234
	49" - 72"	\$91	\$176	\$59	###	\$91	\$180	\$98	\$192	\$73	\$142	\$104	\$207	###	\$207	\$84	\$165	\$118	\$234
Wall Bench	Per Foot	N/A	N/A	N/A	N/A	N/A	N/A	N/A	N/A	N/A	N/A	N/A	N/A	N/A	N/A	N/A	N/A	N/A	N/A
Circle	Per Foot	N/A	N/A	N/A	N/A	N/A	N/A	N/A	N/A	N/A	N/A	N/A	N/A	N/A	N/A	N/A	N/A	N/A	N/A

BOOTH OPTIONS

		OPTIONS														
		Sub-Base							Seats		Other					
	Length	Laminated	Oak Side (1 End)	Oak Side (2 Ends)	Oak Veneer Front	Maple Side (1 End)	Maple Side (2 Ends)	Maple Veneer Front	Complete Seat	Seat Cover	Logo On Upholstery (< 6)	Logo On Upholstery (6+)	Bar Height Booth Seat (30") * NO FOOT REST*	Luxury Foam Upgrade	Line-X (PER LINEAL FOOT)	Wood or Metal Legs (Each)
		Add	Add	Add	Add	Add	Add	Add	Add	Add	Add	Add	Add	Add	Add	Add
Single	Up To 30"	\$54	\$31	\$57	\$77	\$45	\$88	\$119	\$324	\$132	\$435	\$261	+30%	\$69	\$104	\$87
	31" - 44"	\$65	\$31	\$57	\$107	\$45	\$88	\$172	\$380	\$139	\$435	\$261	+30%	\$80	\$104	\$87
	45" - 48"	\$69	\$31	\$57	\$115	\$45	\$88	\$188	\$390	\$146	\$435	\$261	+30%	\$84	\$104	\$87
	49" - 72"	\$80	\$31	\$57	\$157	\$45	\$88	\$257	\$439	\$157	\$435	\$261	+30%	\$123	\$104	\$87
Double	Up To 30"	\$107	\$59	\$115	\$153	\$91	\$176	\$238	N/A	N/A	\$871	\$522	+30%	\$139	\$104	\$87
	31" - 44"	\$130	\$59	\$115	\$215	\$91	\$176	\$345	N/A	N/A	\$871	\$522	+30%	\$160	\$104	\$87
	45" - 48"	\$138	\$59	\$115	\$230	\$91	\$176	\$376	N/A	N/A	\$871	\$522	+30%	\$167	\$104	\$87
	49" - 72"	\$161	\$59	\$115	\$314	\$91	\$176	\$513	N/A	N/A	\$871	\$522	+30%	\$244	\$104	\$87
Wall Bench	Per Foot	\$19	N/A	N/A	\$31	N/A	N/A	\$50	CF	\$31	\$435	\$104	+30%	\$23	\$104	\$87
Circle	Per Foot	\$34	N/A	N/A	\$46	N/A	N/A	\$65	CF	CF	\$435	\$261	+30%	\$31	\$104	\$87