

PLATFORM



PLATFORM

The Platform product was created to solve the challenges of today's gathering spaces. Whether you choose to sit in solitude with a certain level of privacy or sit together in a communal lounge setting, Platform helps to meet these needs by offering comfort, connectivity, and privacy. The metal frame elevates the platform and provides a strong base but with a light scale aesthetic.

FRAME CONSTRUCTION:

The frame assembly is comprised of multi-ply hardwood with a dado and tenon construction. All cushions are made of multidensity foam to provide exceptional comfort and durability that is covered with a high slip polyethelene to keep the foam from breaking down with wear and then covered with the upholstery of your choice. The seat and back cushions are mechanically attached to the plinth (Platform) base and can be changed and interchanged with other pieces including table tops for the seat cushions.

METAL FRAME CONSTRUCTION:

The metal frame is comprised of 1-1/4" square tube welded together then polished to provide a clean aesthetic, and finished in any of our standard powder coats.

TOPS AND BACK PANELS:

The table tops for the end, coffee, and stand up tables and back privacy panel are constructed of either 3/4" MDF or particleboard material and covered in either a laminate with pvc or self edge or painted with our Krycoat painted material.

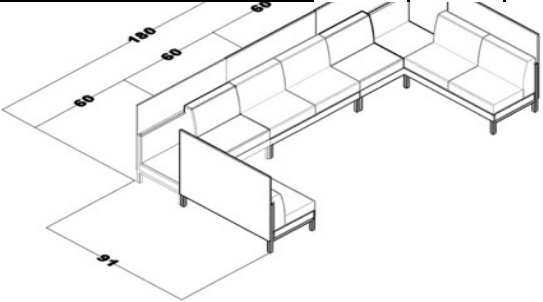
PLINTH BASE (PLATFORM):

The Platform base is constructed of multi-ply hardwood and finished in one of 6 Krycoat paint finishes to provide a tough durable finish to stand up over time.

PLATFORM



Vinyl/Fabric Grade						Electric	BACK PANEL / TABLE TOP UPGRADES				OPTION
Standard	Grade 1	Grade 2	Grade 3	Grade 4	Grade 5	Cove	Laminate Upgrade I	Laminate Upgrade II	Grade 1 - Grade 3 Vinyl / Fabric	Grade 4 - Grade 5 Vinyl / Fabric	STAND UP TABLE
						ADD	ADD	ADD	ADD	ADD	ADD

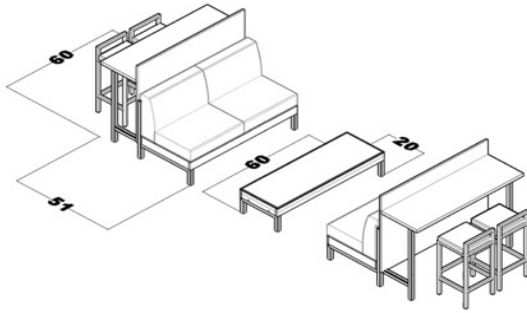


Yardage required for Cove solid or non-matching upholstery. If upholstery has repeat, please contact factory. **24 yds**

PLATFORM 12 (Excludes Stools)

\$14,322 \$14,790 \$12,819 \$15,994 \$16,663 \$17,014

\$243 \$893 \$748 \$1,287 N/A

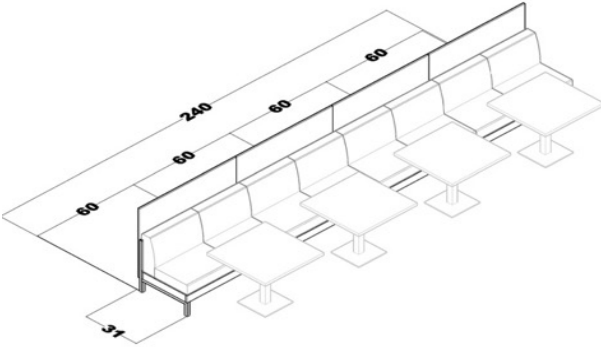


Yardage required for Cove solid or non-matching upholstery. If upholstery has repeat, please contact factory. **12 yds**

PLATFORM NY4

\$26,772 \$27,709 \$28,779 \$30,116 \$31,454 \$32,156

\$487 \$1,785 \$1,495 \$2,574 N/A

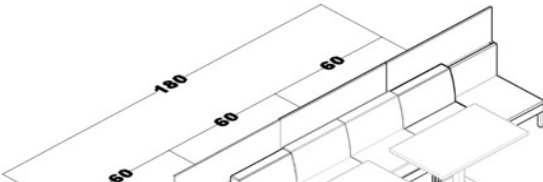


Yardage required for Cove solid or non-matching upholstery. If upholstery has repeat, please contact factory. **24 yds**

PLATFORM PLATEAU

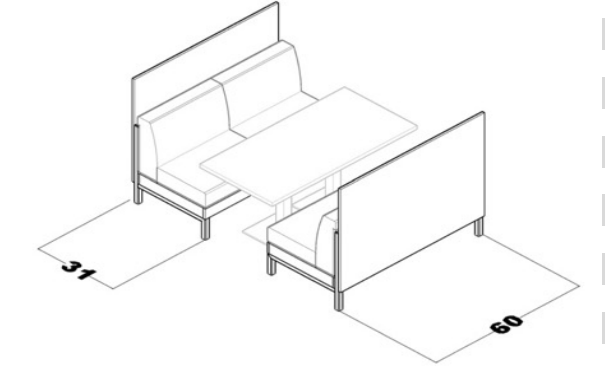
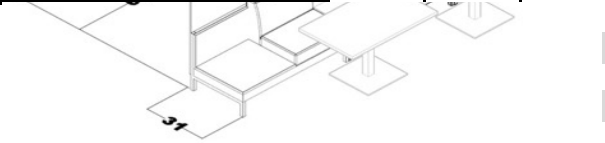
\$17,530 \$17,998 \$18,533 \$19,202 \$19,871 \$20,222

\$365 \$1,339 \$1,122 \$1,930 N/A



Yardage required for Cove solid or non-matching upholstery. If upholstery has repeat, please contact

PLATFORM



	Vinyl/Fabric Grade					Electric	BACK PANEL / TABLE TOP UPGRADES				OPTION	
	Standard	Grade 1	Grade 2	Grade 3	Grade 4	Grade 5	Cove	Laminate Upgrade I	Laminate Upgrade II	Grade 1 - Grade 3 Vinyl / Fabric	Grade 4 - Grade 5 Vinyl / Fabric	STAND UP TABLE
							ADD	ADD	ADD	ADD	ADD	ADD
				factory. 12 yds								
PLATFORM 3	\$12,557	\$13,025	\$13,560	\$14,229	\$14,898	\$15,249		\$243	\$893	\$748	\$1,287	N/A
				arrange required for cover solid or non-matching upholstery. If upholstery has repeat, please contact factory. 12 yds								



PLATFORM STOOL

	Vinyl/Fabric Grade						OPTIONS
	Standard	Grade 1	Grade 2	Grade 3	Grade 4	Grade 5	POWDERCOAT UPGRADE ADD
Short Stool	\$1,955	\$1,969	\$1,985	\$2,005	\$2,025	\$2,047	\$143
Seat Height: 24"	Yardage required for COM solid or non-matching upholstery. If upholstery has repeat, please contact factory. .75 yds						
Seat Depth: 16"							
Seat Width: 16"							
Seat Back Height: 30"							
Tall Stool	\$2,107	\$2,121	\$2,137	\$2,157	\$2,177	\$2,199	\$143
Seat Height: 28"	Yardage required for COM solid or non-matching upholstery. If upholstery has repeat, please contact factory. .75 yds						
Seat Depth: 16"							
Seat Width: 16"							
Seat Back Height: 34"							